



Brand		DOOSAN	Brand	Mecc Alte
Model		P158LE	Model	ECO40 1S4A
Air Intake System		Turbo, Air/Air cooling	Number of Phase	3
Fuel System		BOSCH P type fuel pump	Connecting Type	"Y" type connecting
Cylinder Arrangement		8 in "V"	Number of Bearing	1
Displacement		14.618L	Power Factor	0.8
BorexStroke		128x142 mm	Protection Grade	IP23
Compression Ratio		15.0:1	Altitude	≤1000m
Governor Type		Electronic Governor	Exciter Type	Brushless, self-exciting
Frequency Regulation, Steady State:		≤1.5%	Insulation Class, Temperature Rise	H/H
Starting system		E	Alternator Capacity	456KVA
Battery voltage		12VDC	Telephone Influence Factor (TIF)	<50
Fuel consumption(L/h)	100% load	102.5	THF	<2%
	75% load	74.7	Voltage Regulation, Steady State	≤±1%
	50% load	50.6	Alternator Efficiencies	93.6%
	25% load	28	Air Cooling Flow	0.8m3/s

Exhaust Gas Flow	99.3m3/min	Max Intake Restriction	6.23kPa
Exhaust Temperature	505°C	Cooling Fan Air Flow	618m3/min
Max Back Pressure	5.9kPa	Intake Air Flow	36.9m3/min

Max Oil Capacity	21L	Total Coolant Capacity	80L
Oil Consumption	TBD	Thermostat	71-85°C
Max oil temperature	120°C	Max Water Temperature	103°C
Oil Pressure at Rated RPM	≥250kpa		



## Control system

### Deepsea brand DSE7320 (Standard)

Features:

- Auto Mains (Utility) Failure control module
- Remote PC and via SMS textalerts (with external modem)
- LED and LCD alarm indication
- Include USB, RS232 and RS485 ports
- Support for up to three remote display units
- Generator measurements (50/60 Hz): U1-U3, I1-I3, Hz, kW, kVAr, kWh
- Charge alternator failure alarm
- 3 phase Generator protections:
  - Over-/under voltage
  - Over-/under frequency
  - Current/voltage asymmetry
  - Overcurrent/overload
- Analog oil pressure, water temperature, fuel level, battery voltage, engine speed
- Load switching (load shedding and dummy load outputs)
- CAN and Magnetic Pick-up/Alt.sensing
- Automatic load transfer

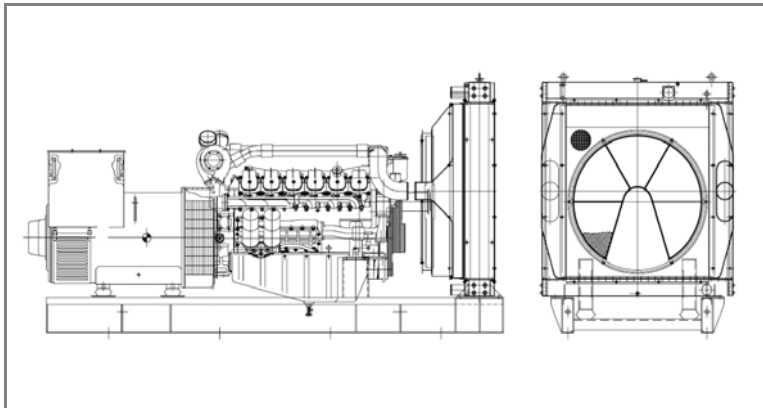




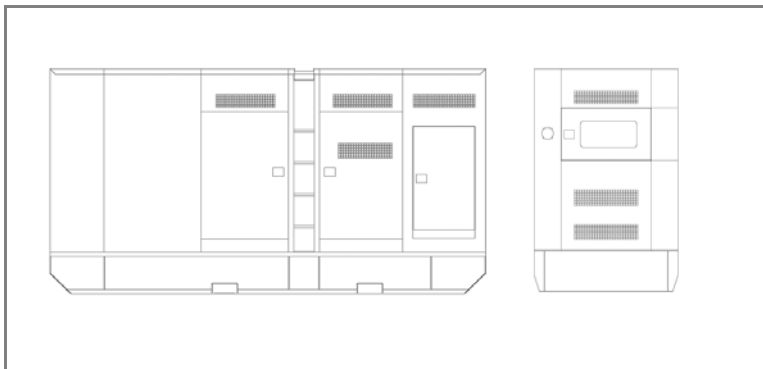
**Optional parts**

Engine	Fuel System	Control System
● Heater	● Daily Fuel Tank	● Remote Control Panel
● Battery Charger	● Water Separator	● Auto Transfer Switch
	● Fuel Level Sensor	● Paralleling System
Alternator	Others	Data
● Anti Condensation Heater	● Soundproof Type	● Engine Parts Drawing List
● Drop CT (For Paralleling)	● Trailer Type	● Spare parts
● PMG	● Containerized Type	

**Dimension and Weight**



Open Type Genset
Dimension: 3100x1400x2000 mm
Weight: 3200 kg



Soundproof Type Genset
Dimension: 4000x1500x2250 mm
Weight: 4000 kg

**ENERGY360**

Kra42 #54A 71 INT101 ITAGUI. PBX: (4)5600530

E-mail: [info@energy360.com.co](mailto:info@energy360.com.co)

