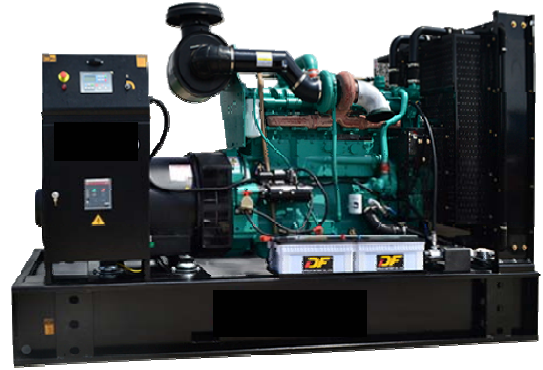




3 phase,60HZ@1800RPM

Prime power	KVA	562
	KW	450
Standby power	KVA	625
	KW	500
Voltage	V	440/254
Ampere	A	819.7



Notes:

- 1) Ambient condition: 1,000 m,25°C
- 2) Available in following voltages:220/127,208/120,416/240,440/254,460/266,480/277
- 3) Prime Power (PRP): Prime power is available for an unlimited number of annual hours in variable load application, in accordance with GB/T2820-97 (eqv ISO8528) ; A 10% overload capability is available for a period of 1 hour within a 12-hour period of operation.
Standby Power Rating (ESP): The standby power rating is applicable for supplying emergency power for the duration of a utility power interruption. No overload, utility parallel or negotiated outage operation capability is available at this rating.

Features

<ul style="list-style-type: none"> ● Engine (CCEC Cummins KTA19-G3A) ● Radiator 40°C max, fans are driven by belt, with safety guard ● Alternator: single bearing Stamford or Mecc Alte alternator IP23, insulation class H/H) ● Main line circuit breaker ● Standard automatic control panel ● Batteries, rack and cable 	<ul style="list-style-type: none"> ● 24V charge alternator ● Absorber ● Dry type air filter, fuel filter, oil filter ● Ripple flex exhaust pipe, exhaust siphon, flange, muffler ● User manual
--	---

Performance Specification,Warranty and Criterion

Performance Specification		Telephone Influence Factor	
Voltage Regulation	≥±5%	TIF	<50
Voltage Regulation, Stead State	≤±1%	THF	<2%
Sudden Voltage Warp (100% Sudden Reduce)	≤+25%	Warranty Warranty is according to our standard conditions: a, 12 months, One year after installation; b, 1000 running hours (accumulated); subject to the earlier one. Service and parts are available from ENERGY360 or distributors in your location. Criterion <ul style="list-style-type: none"> ● Genset design comply to ISO8528/GB2820-97 ● Alternator design Compliance with GB755, BS5000, VDE0530, NEMAMG1-22, IED34-1, CSA22.2 and AS1359 standards 	
Sudden Voltage Warp (Sudden Increase)	≤-20%		
Voltage Stable Time (100% Sudden Reduce)	≤6S		
Voltage Stable Time (Sudden Increase)	≤6S		
Frequency Reduce	0-5% adjustable		
Frequency Regulation, Stead State	≤5%		
Frequency Waving	≤0.5%		
Sudden Frequency Warp (100% Sudden Reduce)	≤+12%		
Sudden Frequency Warp (Sudden Increase)	≤-10%		
Frequency Recovery Time (100% Sudden Reduce)	≤5S		
Frequency Recovery Time (Sudden Increase)	≤5S		



Engine specification		Alternator specification		
Brand	CUMMINS	Brand	STAMFORD	
Model	KTA19-G3A	Model	HCI 544D	
Air Intake System	Turbo, Water/Air cooling	Number of Phase	3	
Fuel System	PT type fuel pump, EFC	Connecting Type	"Y" type connecting	
Cylinder Arrangement	6 in line	Number of Bearing	1	
Displacement	18.9L	Power Factor	0.8	
BorexStroke	159*159 mm	Protection Grade	IP23	
Compression Ratio	13.9:1	Altitude	≤1000m	
Governor Type	Electronic Governor	Exciter Type	Brushless, self-exciting	
Frequency Regulation, Steady State:	≤1.5%	Insulation Class, Temperature Rise	H/H	
Starting system	E	Alternator Capacity	594KVA	
Battery voltage	12VDC	Telephone Influence Factor (TIF)	<50	
Fuel consumption(GL/h)		THF	<2%	
	100% load	29,3	Voltage Regulation, Steady State	≤±1%
	75% load	22,6	Alternator Efficiencies	94.6%
	50% load	16,2	Air Cooling Flow	1.035m ³ /s

Exhaust System		Air Intake System	
Exhaust Gas Flow	1862L/s	Max Intake Restriction	6.23kPa
Exhaust Temperature	504°C	Burning Capacity	716L/s
Max Back Pressure	10kPa	Intake Flow	11760L/s

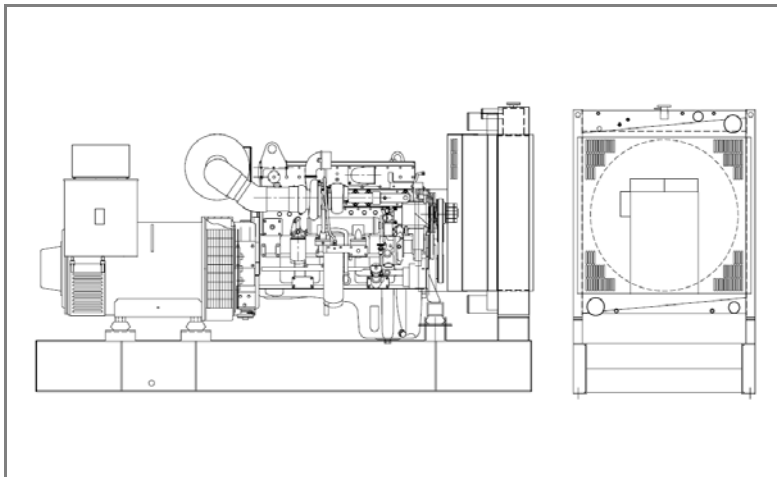
Oil System		Cooling System	
Total Oil Capacity	50L	Total Coolant Capacity	106L
Oil Consumption	≤4g/kwh	Thermostat	82-93°C
Engine Oil Tank Capacity	38L	Max Water Temperature	104°C
Oil Pressure at Rated RPM	345-483kPa		



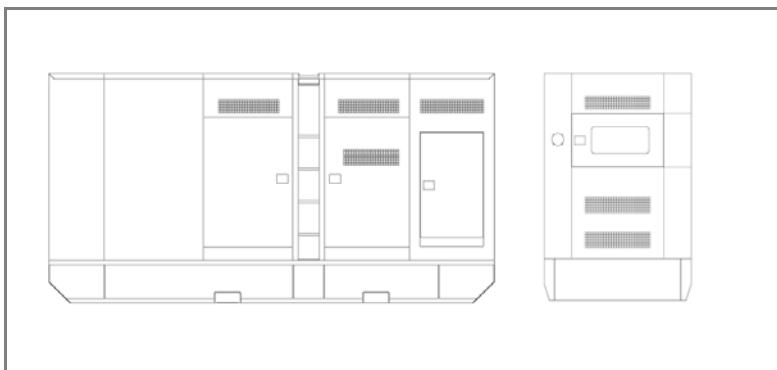
Optional parts

Engine	Fuel System	Control System
● Heater	● Daily Fuel Tank	● Remote Control Panel
● Battery Charger	● Water Separator	● Auto Transfer Switch
	● Fuel Level Sensor	● Paralleling System
Alternator	Others	Data
● Anti Condensation Heater	● Soundproof Type	● Engine Parts Drawing List
● Drop CT (For Paralleling)	● Trailer Type	● Spare parts
● PMG	● Containerized Type	

Dimension and Weight



Open Type Genset
Dimension: 3400x1258x2050 mm(With base fuel tank)
Weight: 4000 kg



Soundproof Type Genset
Dimension: 4630x1660x2250 mm
Weight: 5800 kg

ENERGY360

Carrera 42 54a 71 Itag i PBX: (4)5600530

E-mail: info@energy360.com.co

