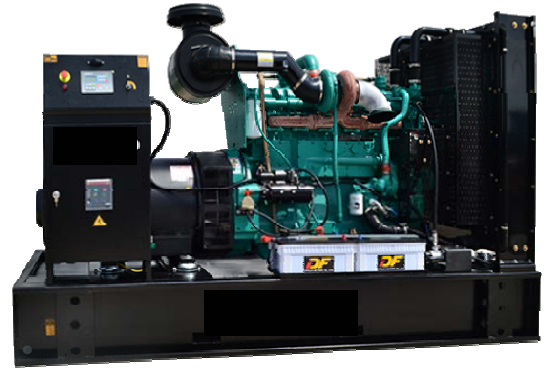




3 phase,60HZ@1800RPM

Prime power	KVA	345
	KW	276
Standby power	KVA	375
	KW	300
Voltage	V	440/254
Ampere	A	491.8



Notes:

- 1) Ambient condition: 1,000 m,25°C
- 2) Available in following voltages:220/127,208/120,416/240,440/254,460/266,480/277
- 3) Prime Power (PRP): Prime power is available for an unlimited number of annual hours in variable load application, in accordance with GB/T2820-97 (eqv ISO8528) ; A 10% overload capability is available for a period of 1 hour within a 12-hour period of operation.
Standby Power Rating (ESP): The standby power rating is applicable for supplying emergency power for the duration of a utility power interruption. No overload, utility parallel or negotiated outage operation capability is available at this rating.

Features

<ul style="list-style-type: none"> ● Engine (CCEC Cummins NTA855-G1B) ● Radiator 40°C max, fans are driven by belt, with safety guard ● Alternator: single bearing Stamford or Mecc Alte alternator IP23, insulation class H/H) ● Main line circuit breaker ● Standard automatic control panel ● Batteries, rack and cable 	<ul style="list-style-type: none"> ● 24V charge alternator ● Absorber ● Dry type air filter, fuel filter, oil filter ● Ripple flex exhaust pipe, exhaust siphon, flange, muffler ● User manual
---	---

Performance Specification,Warranty and Criterion

Performance Specification		Telephone Influence Factor	
Voltage Regulation	≥±5%	TIF	<50
Voltage Regulation, Stead State	≤±1%	THF	<2%
Sudden Voltage Warp (100% Sudden Reduce)	≤+25%	Warranty Warranty is according to our standard conditions: a, 12 months, One year after installation; b, 1000 running hours (accumulated); subject to the earlier one. Service and parts are available from ENERGY360 or distributors in your location.	
Sudden Voltage Warp (Sudden Increase)	≤-20%		
Voltage Stable Time (100% Sudden Reduce)	≤6S	Criterion ● Genset design comply to ISO8528/GB2820-97 ● Alternator design Compliance with GB755, BS5000, VDE0530, NEMAMG1-22, IED34-1, CSA22.2 and AS1359 standards	
Voltage Stable Time (Sudden Increase)	≤6S		
Frequency Reduce	0-5% adjustable		
Frequency Regulation, Stead State	≤5%		
Frequency Waving	≤0.5%		
Sudden Frequency Warp (100% Sudden Reduce)	≤+12%		
Sudden Frequency Warp (Sudden Increase)	≤-10%		
Frequency Recovery Time (100% Sudden Reduce)	≤5S		
Frequency Recovery Time (Sudden Increase)	≤5S		



Engine specification		Alternator specification		
Brand	CUMMINS	Brand	STAMFORD	
Model	NTA855-G1B	Model	HCI 444D	
Air Intake System	Turbo, Water/Air cooling	Number of Phase	3	
Fuel System	PT type fuel pump, EFC	Connecting Type	“Y” type connecting	
Cylinder Arrangement	6 in line	Number of Bearing	1	
Displacement	14L	Power Factor	0.8	
BorexStroke	140*152 mm	Protection Grade	IP23	
Compression Ratio	14.0:1	Altitude	≤1000m	
Governor Type	Electronic Governor	Exciter Type	Brushless, self-exciting	
Frequency Regulation, Steady State:	≤1.5%	Insulation Class, Temperature Rise	H/H	
Starting system	E	Alternator Capacity	360KVA	
Battery voltage	12VDC	Telephone Influence Factor (TIF)	<50	
Fuel consumption(GL/h)		THF	<2%	
	100% load	18,8	Voltage Regulation, Steady State	≤±1%
	75% load	14,3	Alternator Efficiencies	93.0%
	50% load	10	Air Cooling Flow	0.8m3/s

Exhaust System		Air Intake System	
Exhaust Gas Flow	1213L/s	Max Intake Restriction	6.22kPa
Exhaust Temperature	482°C	Burning Capacity	463L/s
Max Back Pressure	10kPa	Intake Flow	9808L/s

Oil System		Cooling System	
Total Oil Capacity	38.6L	Total Coolant Capacity	85L
Oil Consumption	≤0.24L/h	Thermostat	82-93°C
Engine Oil Tank Capacity	36L	Max Water Temperature	104°C
Oil Pressure at Rated RPM	241-345kPa		



Control system

Deepsea brand DSE6020 (Standard)

Features:

- ½ Auto start and Auto mains failure control to the genset
- ½ Display of generator cumulated electric energy
- ½ Using microprocessor as a core, graphics LCD with big screen and backlight
- ½ PC and front panel configuration
- ½ Built-in speed/frequency detecting units can accurately judge the states such as crank success and over speed
- ½ Modular configuration design, inserted type connection terminals, flush type installation, compact structure, easy installation
- ½ All parameters use digital modulation, abandoning analog modulation using conventional electronic potentiometer, reliability and stability are increased
- ½ Built-in watch dog can never be dead halt, ensuring smooth program execution
- ½ Analog oil pressure, water temperature, fuel level, battery voltage, engine speed
- ½ 3 phase Generator protections:
 - Over-/under voltage
 - Over-/under frequency
 - Current/voltage asymmetry
 - Overcurrent/overload
- ½ Security password-protected programming levels
- ½ Generator measurements (50/60 Hz): U1-U3, I1-I3, Hz, kW, kVAr, kWh

Deepsea DSE8610 parallel controller (Option)

Features:

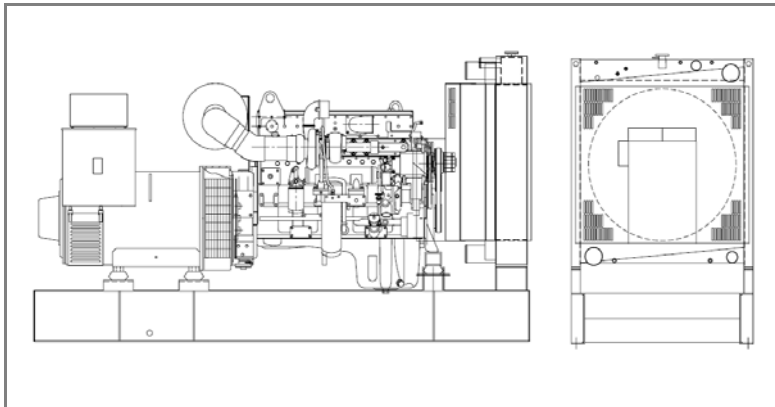
- Comprehensive synchronising & loadsharing capabilities
- ½ Built-in governor and AVR control
- ½ Load switching (load shedding and dummy load control)
- ½ Mains (utility) de-coupling protection
- ½ Overload (kW & kV Ar) protection
- ½ Generator power (kW, kV Ar, kV A & pf) monitoring
- ½ Unbalanced load protection
- ½ Fuel usage monitor and low fuel level protection
- ½ User configurable RS232, RS485 and Ethernet communicationse
- ½ MODBUS RTU & TCP support
- ½ Remote SCADA monitoring via various DSE software applications
- ½ Fully configurable using DSE Configuration Suite PC software via USB
- ½ Advanced SMS control and fault messaging (additional GSM modem required)
- ½ Advanced Internal PLC editor allows user configurable functions to meet specific application requirements.
- ½ Sealed to IP65



Optional parts

Engine	Fuel System	Control System
● Heater	● Daily Fuel Tank	● Remote Control Panel
● Battery Charger	● Water Separator	● Auto Transfer Switch
	● Fuel Level Sensor	● Paralleling System
Alternator	Others	Data
● Anti Condensation Heater	● Soundproof Type	● Engine Parts Drawing List
● Drop CT (For Paralleling)	● Trailer Type	● Spare parts
● PMG	● Containerized Type	

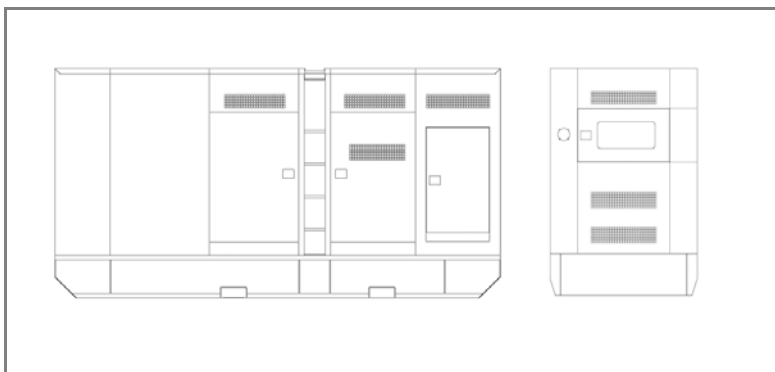
Dimension and Weight



Open Type Genset

Dimension: 3050x1150x2000 mm

Weight: 2850 kg



Soundproof Type Genset

Dimension: 4200x1500x2250 mm

Weight: 3700 kg

ENERGY360

Carrera 42 #54a 71 Itagüi. PBX: (4)5600530

E-mail: info@energy360.com.co

