



**3 phase,60HZ@1800RPM**

<b>Prime power</b>	KVA	168
	KW	134
<b>Standby power</b>	KVA	180
	KW	144
<b>Voltage</b>	V	440/254
<b>Ampere</b>	A	236.1



**Notes:**

- 1) Ambient condition: 1,000 m,25°C
- 2) Available in following voltages:220/127,208/120,416/240,440/254,460/266,480/277
- 3) Prime Power (PRP): Prime power is available for an unlimited number of annual hours in variable load application, in accordance with GB/T2820-97 (eqv ISO8528) ; A 10% overload capability is available for a period of 1 hour within a 12-hour period of operation.  
Standby Power Rating (ESP): The standby power rating is applicable for supplying emergency power for the duration of a utility power interruption. No overload, utility parallel or negotiated outage operation capability is available at this rating.

**Features**

- Engine (DCEC Cummins 6BTAA5.9-G12)
- Radiator 50°C max, fans are driven by belt, with safety guard
- Alternator: single bearing Stamford or Mecc Alte alternator IP23, insulation class H/H )
- Main line circuit breaker
- Standard automatic control panel
- Batteries, rack and cable
- 24V charge alternator
- Absorber
- Dry type air filter, fuel filter, oil filter
- Ripple flex exhaust pipe, exhaust siphon, flange, muffler
- User manual

**Performance Specification,Warranty and Criterion**

Performance Specification		Telephone Influence Factor	
Voltage Regulation	≥±5%	TIF	<50
Voltage Regulation, Stead State	≤±1%	THF	<2%
Sudden Voltage Warp (100% Sudden Reduce)	≤+25%	<b>Warranty</b> Warranty is according to our standard conditions: a, 15 months, counted on the day DOUBLE-ARROW sold to the first buyer; b, One year after installation; c, 1000 running hours (accumulated); subject to the earlier one. Service and parts are available from DOUBLE-ARROW or distributors in your location.	
Sudden Voltage Warp (Sudden Increase)	≤-20%		
Voltage Stable Time (100% Sudden Reduce)	≤6S		
Voltage Stable Time (Sudden Increase)	≤6S		
Frequency Reduce	0-5% adjustable		
Frequency Regulation, Stead State	≤5%		
Frequency Waving	≤0.5%		
Sudden Frequency Warp (100% Sudden Reduce)	≤+12%		
Sudden Frequency Warp (Sudden Increase)	≤-10%		
Frequency Recovery Time (100% Sudden Reduce)	≤5S		
Frequency Recovery Time (Sudden Increase)	≤5S		
		<b>Criterion</b> <ul style="list-style-type: none"> <li>● Genset design comply to ISO8528/GB2820-97</li> <li>● Alternator design Compliance with GB755, BS5000, VDE0530, NEMAMG1-22, IED34-1, CSA22.2 and AS1359 standards</li> </ul>	

Engine specification		Alternator specification		
<b>Brand</b>	<b>CUMMINS</b>	<b>Brand</b>	<b>STAMFORD</b>	
<b>Model</b>	<b>6BTAA5.9-G12</b>	<b>Model</b>	<b>UCI274E</b>	
Air Intake System	Turbo, Air/Air Cooling	Number of Phase	3	
Fuel System	P type fuel pump	Connecting Type	“Y” type connecting	
Cylinder Arrangement	6 in line	Number of Bearing	1	
Displacement	5.9L	Power Factor	0.8	
BorexStroke	102*120 mm	Protection Grade	IP23	
Compression Ratio	17.3:1	Altitude	≤1000m	
Governor Type	Electronic Governor	Exciter Type	Brushless, self-exciting	
Frequency Regulation, Steady State:	≤1.5%	Insulation Class, Temperature Rise	H/H	
Starting system	E	Alternator Capacity	167.5KVA	
Battery voltage	12VDC	Telephone Influence Factor (TIF)	<50	
Fuel consumption(GL/h)		THF	<2%	
	100% load	10	Voltage Regulation, Steady State	≤±1%
	75% load	7,3	Alternator Efficiencies	91.7%
	50% load	5	Air Cooling Flow	0.514m3/s

Exhaust System		Air Intake System	
Exhaust Gas Flow	438 litre/sec	Max Intake Restriction	6.2kPa
Exhaust Temperature	458°C	Burning Capacity	TBA
Max Back Pressure	10kPa	Intake Flow	196 litre/sec

Oil System		Cooling System	
Total Oil Capacity	16.4L	Total Coolant Capacity(Engine)	10L
Oil Consumption	≤4g/kwh	Thermostat	82-95°C
Engine Oil Tank Capacity	14.2L	Max Water Temperature	104°C
Oil Pressure at Rated RPM	345kPa		

## Control system

### Deepsea brand DSE6020 (Standard)

Features:

- Auto start and Auto mains failure control to the genset
- Display of generator cumulated electric energy
- Using microprocessor as a core, graphics LCD with big screen and backlight
- PC and front panel configuration
- Built-in speed/frequency detecting units can accurately judge the states such as crank success and over speed
- Modular configuration design, inserted type connection terminals, flush type installation, compact structure, easy installation
- All parameters use digital modulation, abandoning analog modulation using conventional electronic potentiometer, reliability and stability are increased
- Built-in watch dog can never be dead halt, ensuring smooth program execution
- Analog oil pressure, water temperature, fuel level, battery voltage, engine speed
- 3 phase Generator protections:
  - Over-/under voltage
  - Over-/under frequency
  - Current/voltage asymmetry
  - Overcurrent/overload



- Security password-protected programming levels
- Generator measurements (50/60 Hz): U1-U3, I1-I3, Hz, kW, kVAr, kWh

### Deepsea DSE8610 parallel controller (Option)

Features:

- Comprehensive synchronising & loadsharing capabilities
- Built-in governor and AVR control
- Load switching (load shedding and dummy load control)
- Mains (utility) de-coupling protection
- Overload (kW & kV Ar) protection
- Generator power (kW, kV Ar, kV A & pf) monitoring
- Unbalanced load protection
- Fuel usage monitor and low fuel level protection
- User configurable RS232, RS485 and Ethernet communication
- MODBUS RTU & TCP support
- Remote SCADA monitoring via various DSE software applications
- Fully configurable using DSE Configuration Suite PC software via USB
- Advanced SMS control and fault messaging (additional GSM modem required)
- Advanced Internal PLC editor allows user configurable functions to meet specific application requirements.
- Sealed to IP65

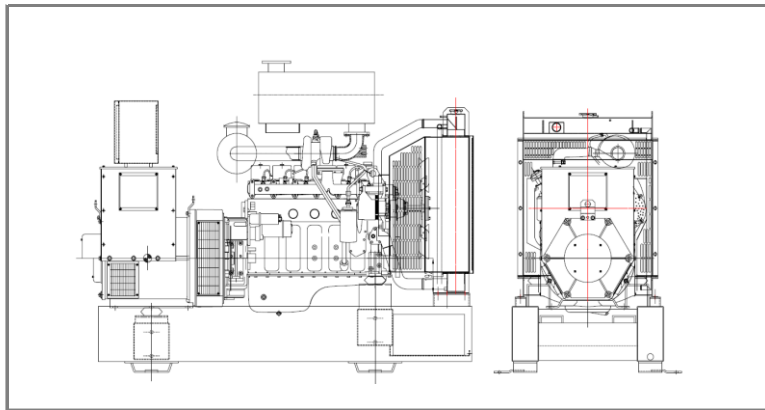




**Optional parts**

Engine	Fuel System	Control System
● Heater	● Daily Fuel Tank	● Remote Control Panel
● Battery Charger	● Water Separator	● Auto Transfer Switch
	● Fuel Level Sensor	● Paralleling System
Alternator	Others	Data
● Anti Condensation Heater	● Soundproof Type	● Engine Parts Drawing List
● Drop CT (For Paralleling)	● Trailer Type	● Spare parts
● PMG	● Containerized Type	

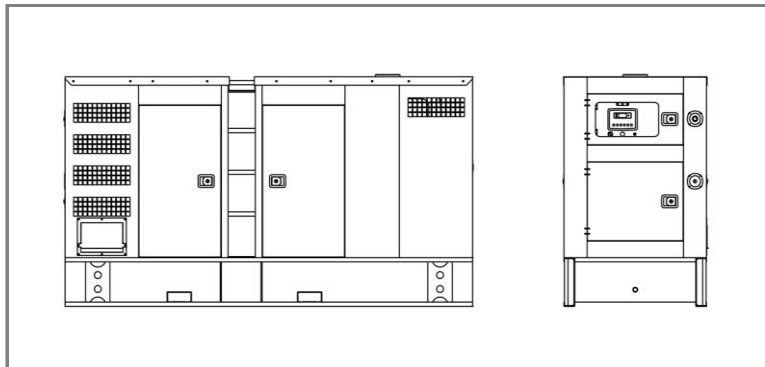
**Dimension and Weight**



**Open Type Genset**

Dimension: 2350x880x1530 mm

Weight: 1150 kg



**Soundproof Type Genset**

Dimension: 3000x1050x1740 mm

Weight: 1900 kg

**ENERGY360**

Carrera 42 #54a 71 Itagüí. PBX: (4)5600530

E-mail: [info@energy360.com.co](mailto:info@energy360.com.co)

[www.energy360.com.co](http://www.energy360.com.co)

Specifications may change without notice

