



Engine specification			Alternator specification	
<b>Brand</b>	<b>CUMMINS</b>		<b>Brand</b>	<b>STAMFORD</b>
<b>Model</b>	<b>6BTA5.9-G2</b>		<b>Model</b>	<b>UCI274D</b>
Air Intake System	Turbo, Water/Air Cooling		Number of Phase	3
Fuel System	AD type fuel pump		Connecting Type	“Y” type connecting
Cylinder Arrangement	6 in line		Number of Bearing	1
Displacement	5.9L		Power Factor	0.8
BorexStroke	102*120 mm		Protection Grade	IP23
Compression Ratio	17.0:1		Altitude	≤1000m
Governor Type	Electronic Governor		Exciter Type	Brushless, self-exciting
Frequency Regulation, Steady State:	≤1.5%		Insulation Class, Temperature Rise	H/H
Starting system	E		Alternator Capacity	137.5KVA
Battery voltage	12VDC		Telephone Influence Factor (TIF)	<50
Fuel consumption(GI/h )			THF	<2%
	100% load	8,1	Voltage Regulation, Steady State	≤±1%
	75% load	6	Alternator Efficiencies	90.8%
	50% load	4,2	Air Cooling Flow	0.617m3/s

Exhaust System		Air Intake System	
Exhaust Gas Flow	19.4m3/min	Max Intake Restriction	6.35kPa
Exhaust Temperature	570°C	Burning Capacity	9.1m3/min
Max Back Pressure	10kPa	Intake Flow	210m3/min

Oil System		Cooling System	
Total Oil Capacity	16.3L	Total Coolant Capacity	29L
Oil Consumption	≤4g/kwh	Thermostat	82-95°C
Engine Oil Tank Capacity	14.2L	Max Water Temperature	104°C
Oil Pressure at Rated RPM	345kPa		

**Control system**

**Deepsea brand DSE6020 (Standard)**

Features:

- Auto start and Auto mains failure control to the genset
- Display of generator cumulated electric energy
- Using microprocessor as a core, graphics LCD with big screen and backlight
- PC and front panel configuration
- Built-in speed/frequency detecting units can accurately judge the states such as crank success and over speed
- Modular configuration design, inserted type connection terminals, flush type installation, compact structure, easy installation
- All parameters use digital modulation, abandoning analog modulation using conventional electronic potentiometer, reliability and stability are increased
- Built-in watch dog can never be dead halt, ensuring smooth program execution
- Analog oil pressure, water temperature, fuel level, battery voltage, engine speed
- 3 phase Generator protections:
  - Over-/under voltage
  - Over-/under frequency
  - Current/voltage asymmetry
  - Overcurrent/overload



- Security password-protected programming levels
- Generator measurements (50/60 Hz): U1-U3, I1-I3, Hz, kW, kVAr, kWh

**Deepsea DSE8610 parallel controller (Option)**

Features:

- Comprehensive synchronising & loadsharing capabilities
- Built-in governor and AVR control
- Load switching (load shedding and dummy load control)
- Mains (utility) de-coupling protection
- Overload (kW & kV Ar) protection
- Generator power (kW, kV Ar, kV A & pf) monitoring
- Unbalanced load protection
- Fuel usage monitor and low fuel level protection
- User configurable RS232, RS485 and Ethernet communicationse
- MODBUS RTU & TCP support
- Remote SCADA monitoring via various DSE software applications
- Fully configurable using DSE Configuration Suite PC software via USB
- Advanced SMS control and fault messaging (additional GSM modem required)
- Advanced Internal PLC editor allows user configurable functions to meet specific application requirements.
- Sealed to IP65

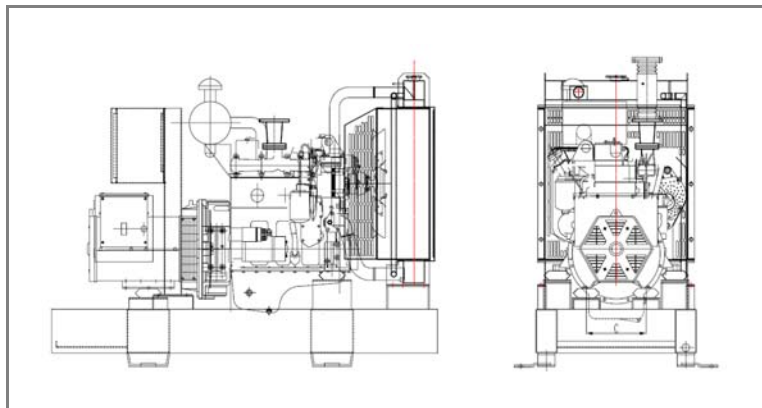




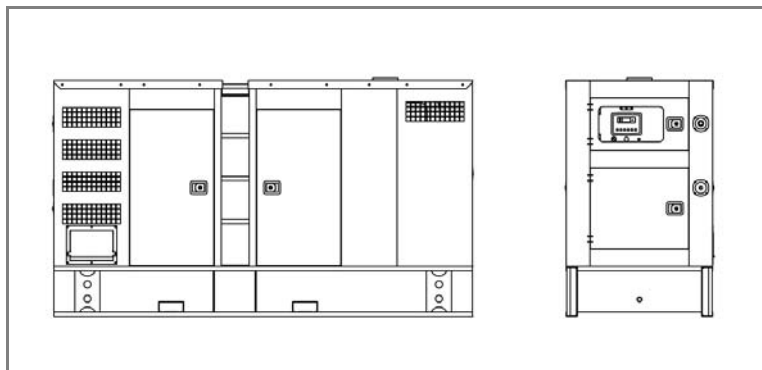
**Optional parts**

Engine	Fuel System	Control System
● Heater	● Daily Fuel Tank	● Remote Control Panel
● Battery Charger	● Water Separator	● Auto Transfer Switch
	● Fuel Level Sensor	● Paralleling System
Alternator	Others	Data
● Anti Condensation Heater	● Soundproof Type	● Engine Parts Drawing List
● Drop CT (For Paralleling)	● Trailer Type	● Spare parts
● PMG	● Containerized Type	

**Dimension and Weight**



Open Type Genset
Dimension: 2200x880x1530 mm
Weight: 1050 kg



Soundproof Type Genset
Dimension: 3000x1050x1740 mm
Weight: 1800 kg

**ENERGY360**

Kra42 #54a 71 Bdg 101 Itagüi. PBX: (4)5600530 E-mail: [info@energy360.com.co](mailto:info@energy360.com.co)

