



**3 phase,60HZ@1800RPM**

<b>Prime power</b>	KVA	54
	KW	43
<b>Standby power</b>	KVA	60
	KW	48
<b>Voltage</b>	V	440/254
<b>Ampere</b>	A	78.7



**Notes:**

- 1) Ambient condition: 1,000 m,25°C
- 2) Available in following voltages:220/127,208/120,416/240,440/254,460/266
- 3) Prime Power (PRP): Prime power is available for an unlimited number of annual hours in variable load application, in accordance with GB/T2820-97 (eqv ISO8528) ; A 10% overload capability is available for a period of 1 hour within a 12-hour period of operation.  
Standby Power Rating (ESP): The standby power rating is applicable for supplying emergency power for the duration of a utility power interruption. No overload, utility parallel or negotiated outage operation capability is available at this rating.

**Features**

- |   |   |
|---|---|
| <ul style="list-style-type: none"> <li>● Engine (DCEC Cummins 4BTA3.9-G2)</li> <li>● Radiator 50°C max, fans are driven by belt, with safety guard</li> <li>● Alternator: single bearing alternator IP23, insulation class H/H )</li> <li>● Main line circuit breaker</li> <li>● Standard automatic control panel</li> <li>● Batteries, rack and cable</li> </ul> | <ul style="list-style-type: none"> <li>● 24V charge alternator</li> <li>● Absorber</li> <li>● Dry type air filter, fuel filter, oil filter</li> <li>● Ripple flex exhaust pipe, exhaust siphon, flange, muffler</li> <li>● User manual</li> </ul> |
|---|---|

**Performance Specification,Warranty and Criterion**

Performance Specification		Telephone Influence Factor	
Voltage Regulation	≥±5%	TIF	<50
Voltage Regulation, Stead State	≤±1%	THF	<2%
Sudden Voltage Warp (100% Sudden Reduce)	≤+25%	<b>Warranty</b> Warranty is according to our standard conditions: a, 12 months, One year after installation; b, 1000 running hours (accumulated); subject to the earlier one.Service and parts are available from ENERGY360 or distributors in your location.  <b>Criterion</b> <ul style="list-style-type: none"> <li>● Genset design comply to ISO8528/GB2820-97</li> <li>● Alternator design Compliance with GB755, BS5000, VDE0530, NEMAMG1-22, IED34-1, CSA22.2 and AS1359 standards</li> </ul>	
Sudden Voltage Warp (Sudden Increase)	≤-20%		
Voltage Stable Time (100% Sudden Reduce)	≤6S		
Voltage Stable Time (Sudden Increase)	≤6S		
Frequency Reduce	0-5% adjustable		
Frequency Regulation, Stead State	≤1.5%		
Frequency Waving	≤0.8%		
Sudden Frequency Warp (100% Sudden Reduce)	≤+12%		
Sudden Frequency Warp (Sudden Increase)	≤-10%		
Frequency Recovery Time (100% Sudden Reduce)	≤5S		
Frequency Recovery Time (Sudden Increase)	≤5S		



Engine specification			Alternator specification	
<b>Brand</b>	<b>CUMMINS</b>		<b>Brand</b>	<b>DA</b>
<b>Model</b>	<b>4BTA3.9-G2</b>		<b>Model</b>	<b>DAI225B</b>
Air Intake System	Turbo		Number of Phase	3
Fuel System	A type fuel pump		Connecting Type	“Y” type connecting
Cylinder Arrangement	4 in line		Number of Bearing	1
Displacement	3.9L		Power Factor	0.8
Bore×Stroke	102*120 mm		Protection Grade	IP23
Compression Ratio	16.5:1		Altitude	≤1000m
Governor Type	Electronic Governor		Exciter Type	Brushless, self-exciting
Frequency Regulation, Steady State:	≤1.5%		Insulation Class, Temperature Rise	H/H
Starting system	E		Alternator Capacity	62.5KVA
Battery voltage	12VDC		Telephone Influence Factor (TIF)	<50
Fuel consumption(GL/h)			THF	<2%
	100% load	3,4	Voltage Regulation, Steady State	≤±1%
	75% load	2,5	Alternator Efficiencies	88.4%
	50% load	1,7	Air Cooling Flow	0.216m3/s

Exhaust System		Air Intake System	
Exhaust Gas Flow	14.8m3/min	Max Intake Restriction	6.2kPa
Exhaust Temperature	497°C	Burning Capacity	5.9m3/min
Max Back Pressure	10kPa	Intake Flow	136m3/min

Oil System		Cooling System	
Total Oil Capacity	16.4L	Total Coolant Capacity	21L
Oil Consumption	≤4g/kwh	Thermostat	83-95°C
Engine Oil Tank Capacity	14.3L	Max Water Temperature	100°C
Oil Pressure at Rated RPM	350kPa		



## Control system

### Deepsea brand DSE6020 (Standard)

#### Features:

- Auto start and Auto mains failure control to the genset
- Display of generator cumulated electric energy
- Using microprocessor as a core, graphics LCD with big screen and backlight
- PC and front panel configuration
- Built-in speed/frequency detecting units can accurately judge the states such as crank success and over speed
- Modular configuration design, inserted type connection terminals, flush type installation, compact structure, easy installation
- All parameters use digital modulation, abandoning analog modulation using conventional electronic potentiometer, reliability and stability are increased
- Built-in watch dog can never be dead halt, ensuring smooth program execution
- Analog oil pressure, water temperature, fuel level, battery voltage, engine speed
- 3 phase Generator protections:
  - Over-/under voltage
  - Over-/under frequency
  - Current/voltage asymmetry
  - Overcurrent/overload
- Security password-protected programming levels
- Generator measurements (50/60 Hz): U1-U3, I1-I3, Hz, kW, kVAr, kWh

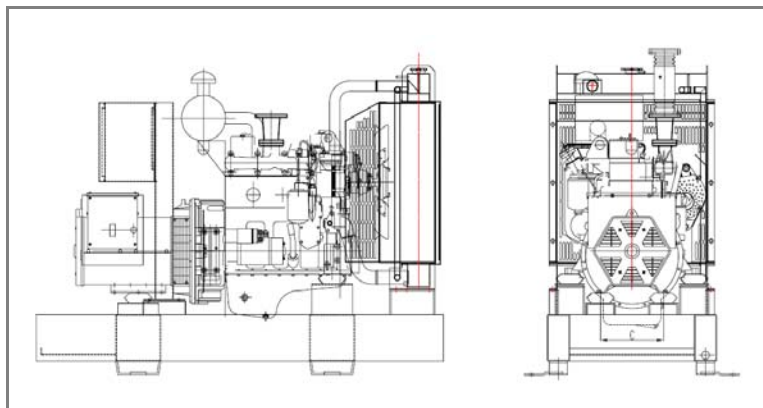




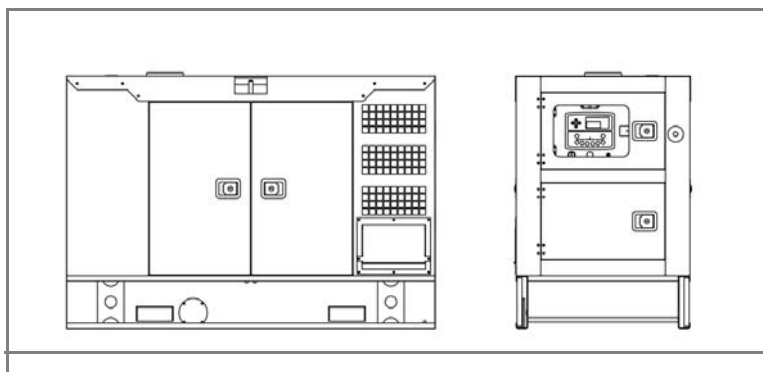
**Optional parts**

Engine	Fuel System	Control System
● Heater	● Daily Fuel Tank	● Remote Control Panel
● Battery Charger	● Water Separator	● Auto Transfer Switch
	● Fuel Level Sensor	● Paralleling System
Alternator	Others	Data
● Anti Condensation Heater	● Soundproof Type	● Engine Parts Drawing List
● Drop CT (For Paralleling)	● Trailer Type	● Spare parts
● PMG	● Containerized Type	

**Dimension and Weight**



Open Type Genset
Dimension: 1860×900×1400 mm
Weight: 950 kg



Soundproof Type Genset
Dimension: 2280×950×1510 mm
Weight: 1300 kg

**ENERGY360**

Kra42 #54a 71 Bdg 101 Itagüi. PBX: (4)5600530

E-mail: [info@energy360.com.co](mailto:info@energy360.com.co)

